

## Genesis New Materials Co.,Ltd

**Add:** Shisha Industry, Baiyyun district, Guangzhou,Guangdong Province,China 510000

**Tel:** 0086-20 22152403 **Whatsapp:** +0086 13560430657

**Email:**jack@genesismaterials.com

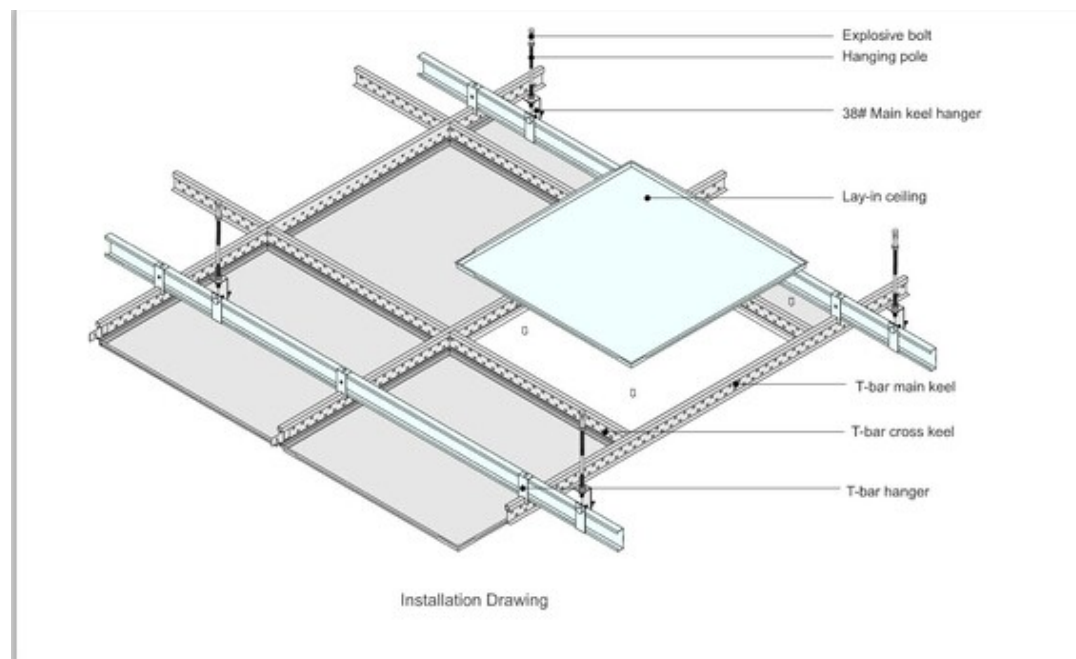
**Website:**www.genesismaterials.com



### Aluminum Perforated Lay In Ceiling

Size(mm)	Side Height(mm)	Thickness(mm)
275*275(295*295)	8	0.5~0.8
575*575 (595*595)	10	0.6~0.9
585*585 (595*595)	10	0.6~0.9
585*585(605*605)	10	0.6~0.9
595*1195*575*1175	8	0.6~0.9

**Edge Type: Square Edge**



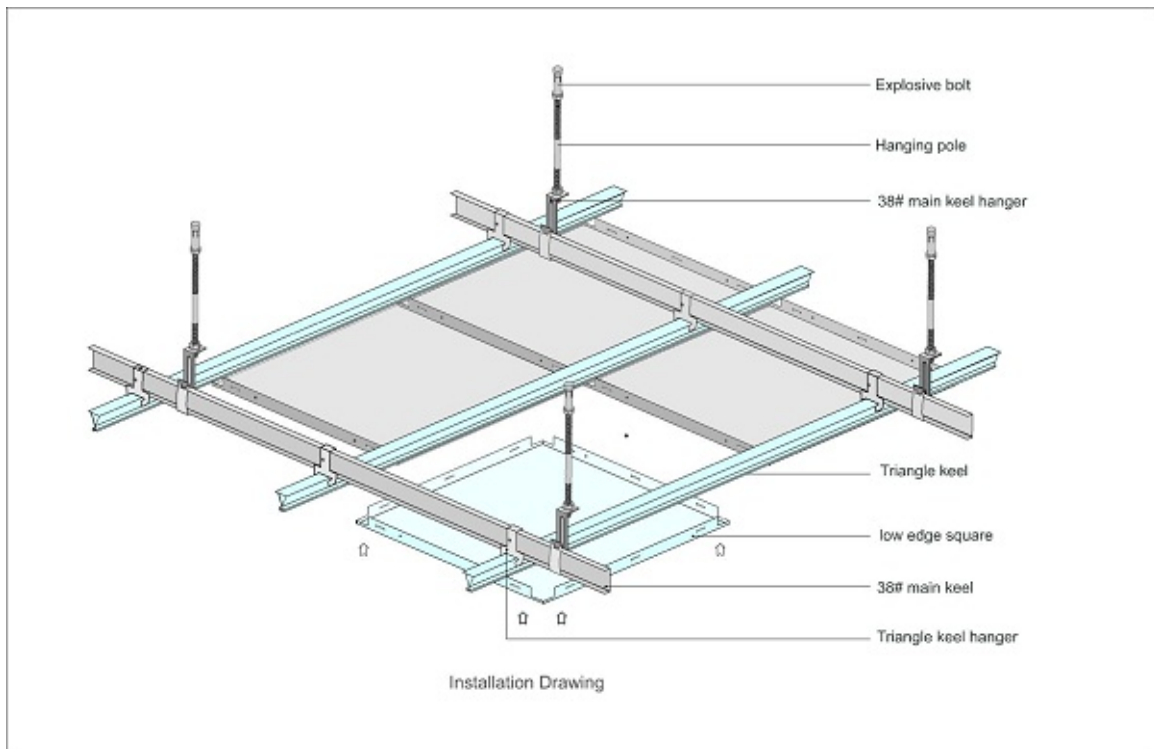
- Surface Treatment: Powder coating, roll coating, Film covered
- - Material(s): Aluminum, Galvanized Steel on request.
- - Coating: Hi-qualified static powder coating utilized, special RAL colors on request.
- - Purpose: Fireproof, humidity absorbed, for perforated tiles with black felt, sound absorption and heat separation.
- - Processing: Scissor and tooth saw available.
- - Cleaning: Cleaning with water or cleanser.

## Aluminum Lay In Ceiling



Size(mm)	Side Height(mm)	Thickness(mm)
300*300	20/25	0.5~1.0
300*600	20/25	0.6~1.0
300*1200	20/25	0.7~1.0
400*400	20	0.6~1.0
500*500	20	0.6~1.0
600*600	20/25/28	0.6~1.2
600*1200	20/25/28	0.7~1.2

**Edge Type: Beveled /Square Edge**



- Surface Treatment: Powder coating, roll coating, Film covered
- - Material(s): Aluminum, Galvanized Steel on request.
- - Coating: Hi-qualified static powder coating utilized, special RAL colors on request.
- - Purpose: Fireproof, humidity absorbed, for perforated tiles with black felt, sound absorption and heat separation.
- - Processing: Scissor and tooth saw available.
- - Cleaning: Cleaning with water or cleanser.

## Aluminium L-strip Ceiling



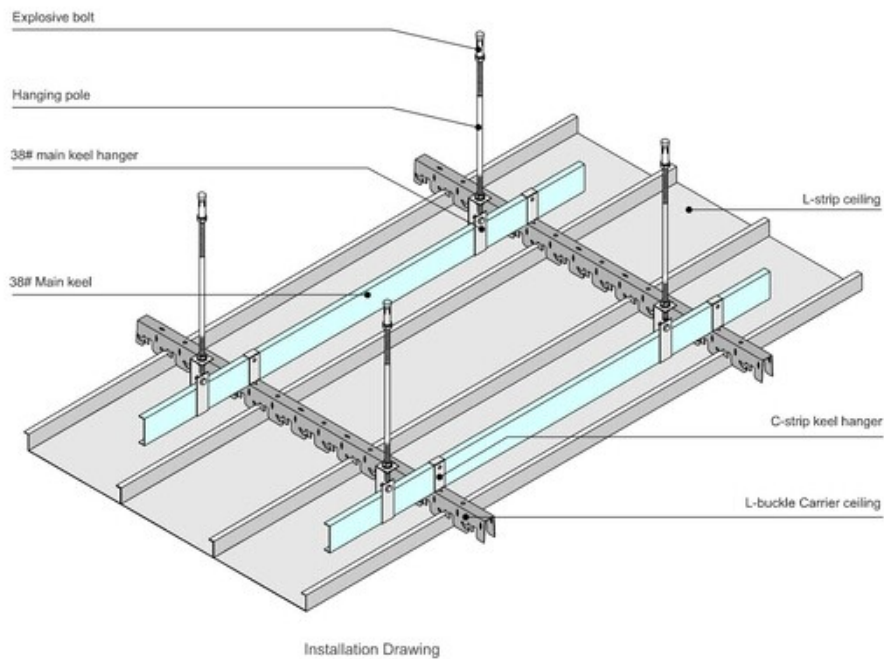
Size(mm)	Side Height(mm)	Thickness(mm)
200	20	0.65~0.85
300	29	0.65~0.85

Type: L200, L300mm

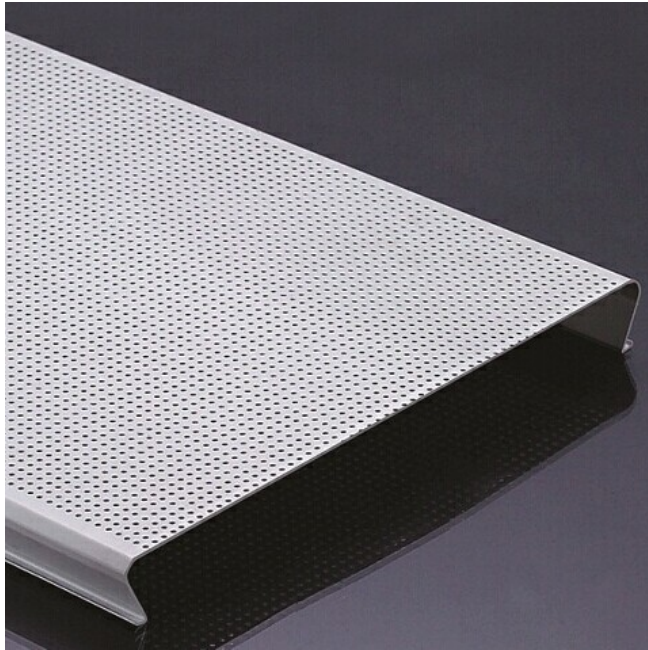
Standard Length(mm) ≤6000

Surface Treatment Powder coating, roll coating, Film covered

Shape Rectangle



### S-strip Ceiling



Size(mm) Side Height(mm) Thickness(mm)

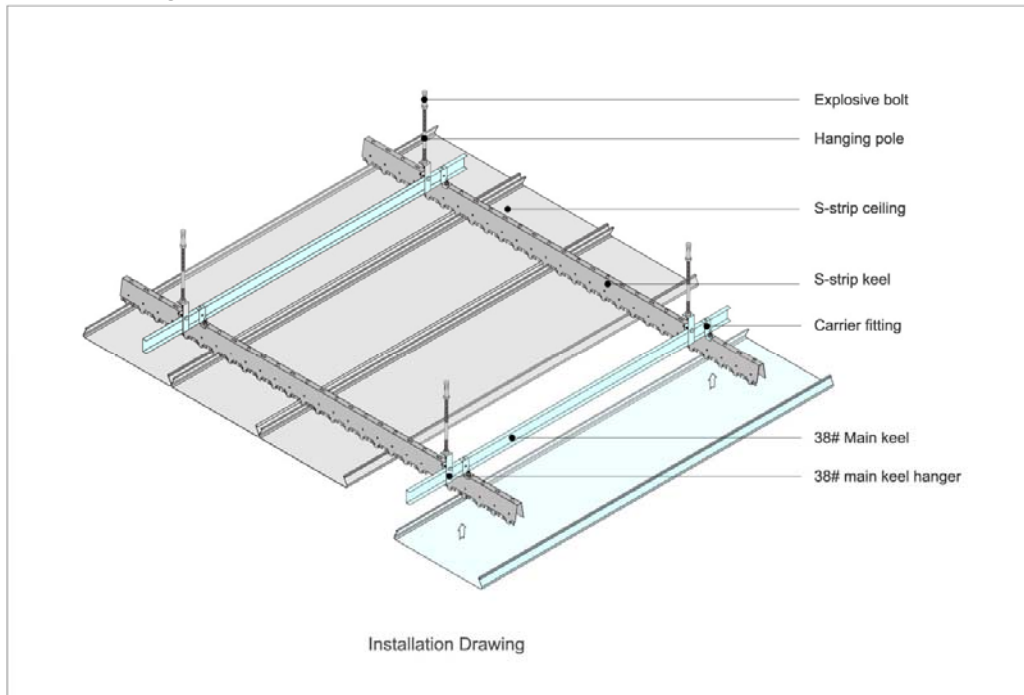
300                      28                      0.75~1.0

Standard Length(mm) ≤6000

Type: S300mm

Surface Treatment Powder coating, roll coating, Film covered

Shape Rectangle



### Aluminum c strip ceiling

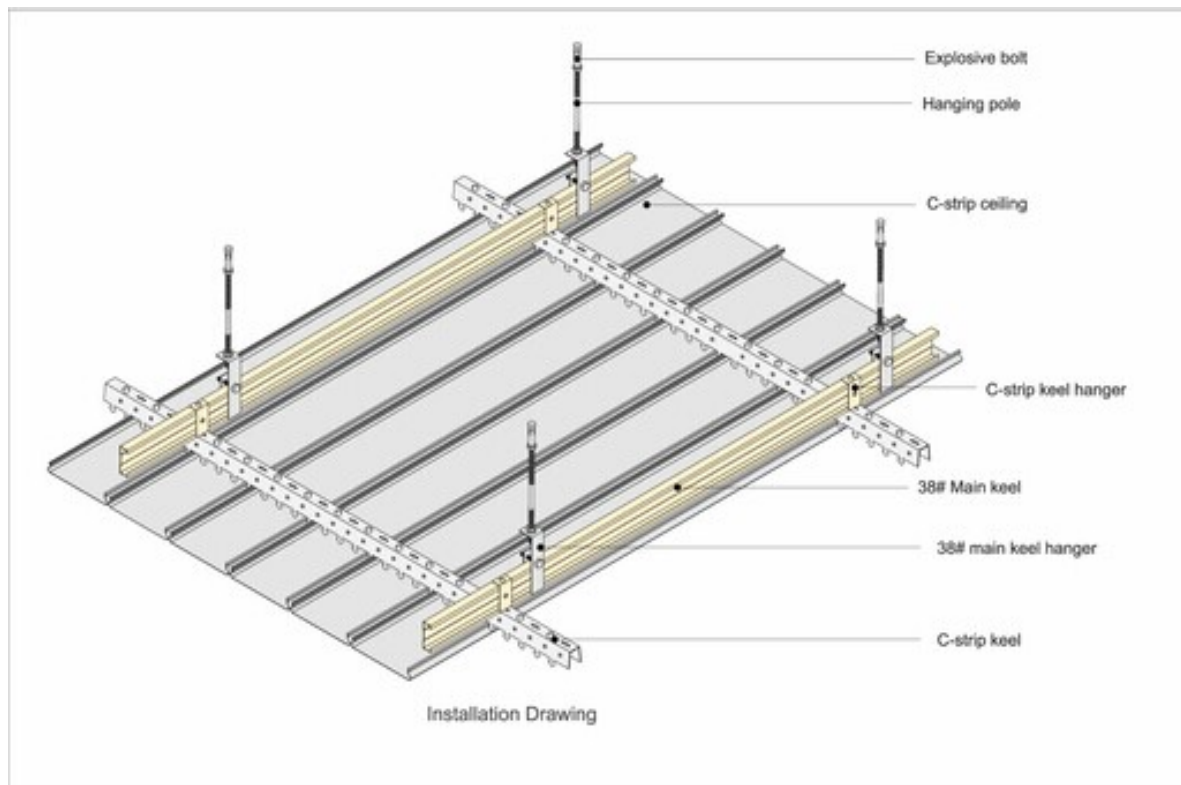


Ssize(mm)	Side Height(mm)	Thickness(mm)
100	18	0.5~0.8
150	18	0.6~ <b>0.8</b>
200	18	0.6~ <b>1.0</b>
300	18	0.7~ <b>1.0</b>

Standard Length(mm): ≤6000

Surface Treatment Powder coating, roll coating, Film covered

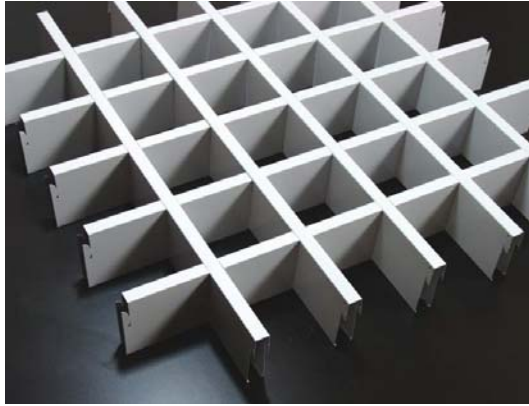
Shape Rectangle



C-strip aluminum ceiling: installation drawing

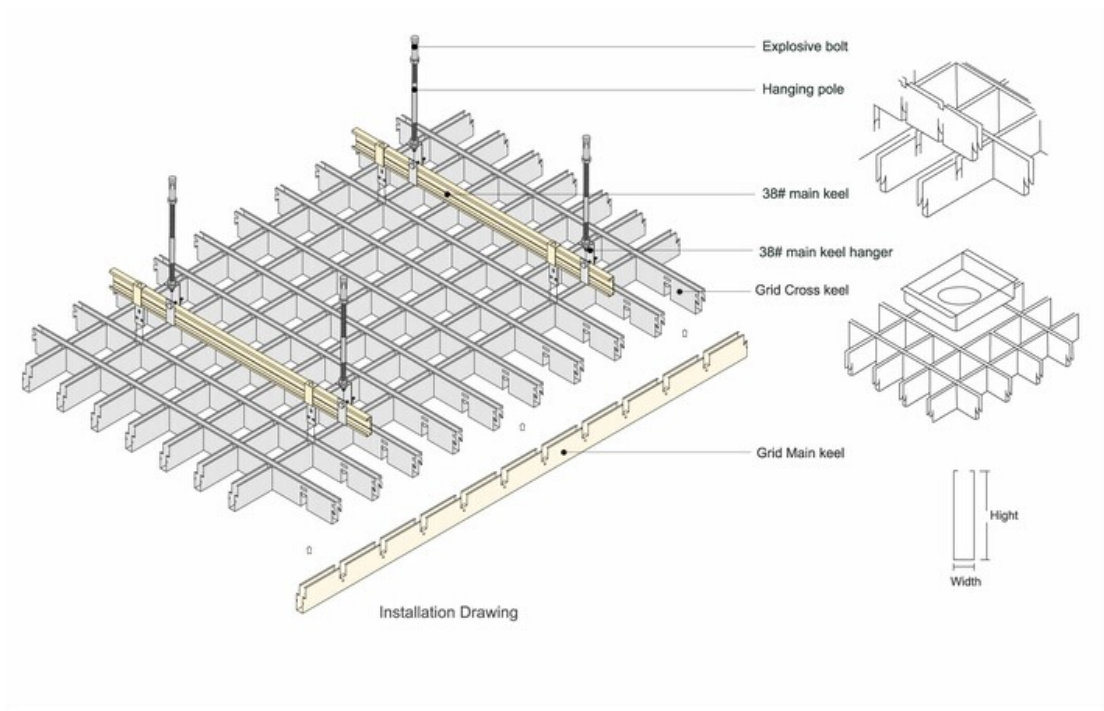
Type: C100, C150, C200, C300mm





### Aluminum Grid Ceiling

size(mm)	Side Height(mm)	Thickness(mm)
10/15	40/43/45/50/60/80	2000
10/15	40/43/45/50/60/80	1950
10/15	40/43/45/50/60/80	2000
10/15	40/43/45/50/60/80	1950
10/15	40/43/45/50/60/80	2000
10/15	40/43/45/50/60/80	1800



Grid aluminum ceiling

Alloy :1100,3003,3005,3105

Type :G50,75,100,150,200,300

Surface Treatment: Powder coating, roll painted, Film coated

## Aluminum Dripping Screen Ceiling



size(mm)	Side Height(mm)	Thickness(mm)
----------	-----------------	---------------

100	18	1.1
-----	----	-----

Ceiling Type: D-110

Shape: Dripping Screen shape

Alloy: 1100,3003,3005,3105

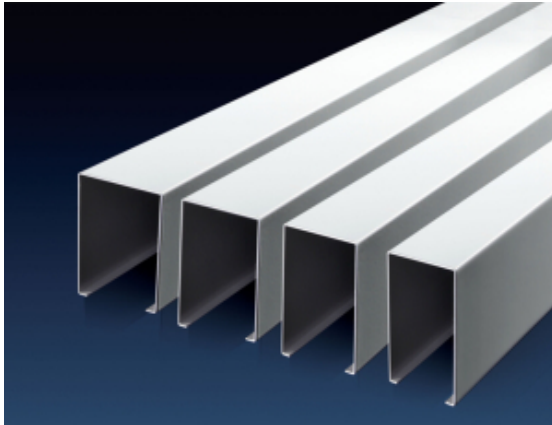
Surface Treatment: Powder coating

The dripping screen ceiling series is the one of the open type ceiling series and it is composed of high-quality aluminum alloy with double side baked-enamel paint or powder coating finish.

Dripping screen ceiling combines a crisp, linear appearance with a pleasing open, floating effect.

Parallel blades screen the service equipment in the plenum to present an expressive statement suitable to any area.

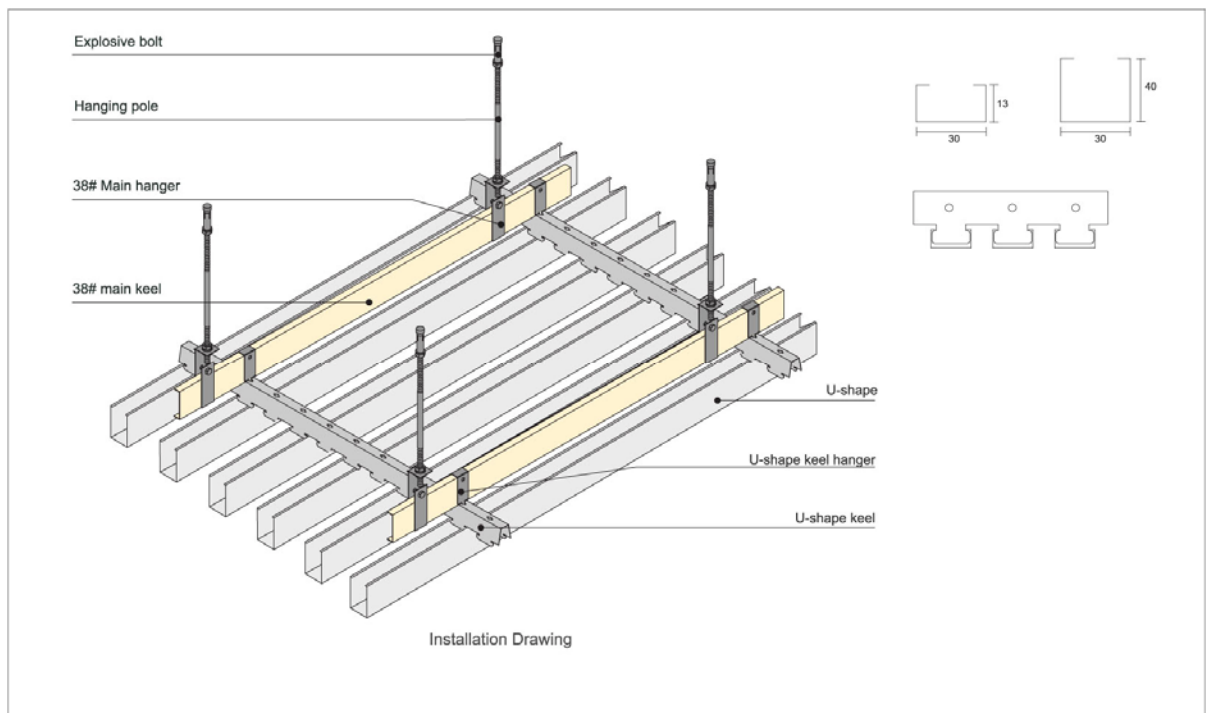
## Aluminum U-shape Ceiling



size(mm)	Side Height(mm)	Thickness(mm)
25	20-200	0.65-1.15
30	20-200	0.65-1.15
50	20-200	0.65-1.15

Ceiling Type: U25, U30, U50

Surface Treatment: Powder coating, roll painted, Film coated



### U-shape aluminum ceiling

Standard Length(mm): ≤5000

Alloy: 1100,3003,3005,3105

Surface Treatment: Powder coating, roll painted, Film coated

Shape: U shape

U-shape ceiling is a kind of visible type ceiling, and the visible angle of the installation area can be adjusted, and the pipes and other facilities of the building can be hidden.



This kind of ceiling features installation and disassembly and provides adequate space for future maintains.



**Aluminum Profile TU-shape Ceiling**

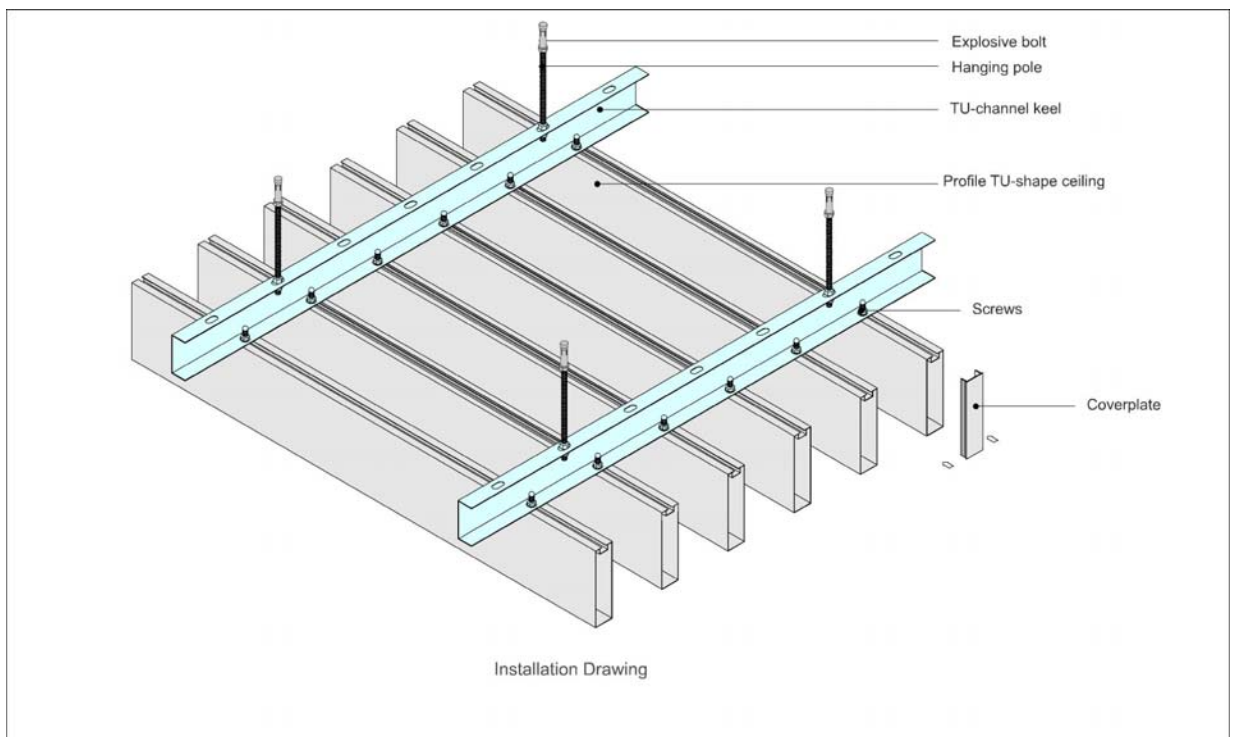
size(mm)	Side Height(mm)	Thickness(mm)
<b>25</b>	<b>70</b>	<b>0.95-1.15</b>
<b>30</b>	<b>80</b>	<b>0.95-1.15</b>
<b>50</b>	<b>100</b>	<b>0.95-1.15</b>

Ally: 1100,3003,3005,3105

Type: TU25, TU30, TU50

Surface Treatment: Powder coating

Shape: Profile TU shape



Profile TU-shape ceiling is a kind of visible type ceiling, and the visible angle of the installation area can be adjusted,

and the pipes and other facilities of the building can be hidden.

This kind of ceiling features installation and disassembly and provides adequate space for future maintains.